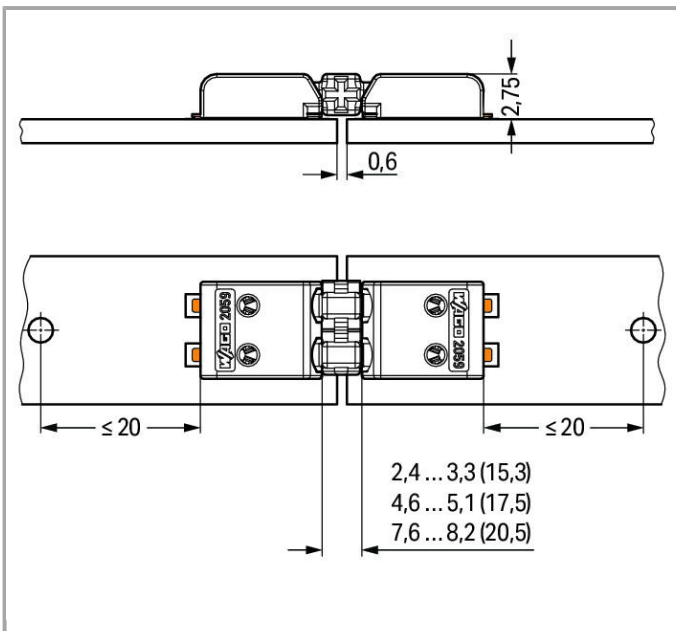
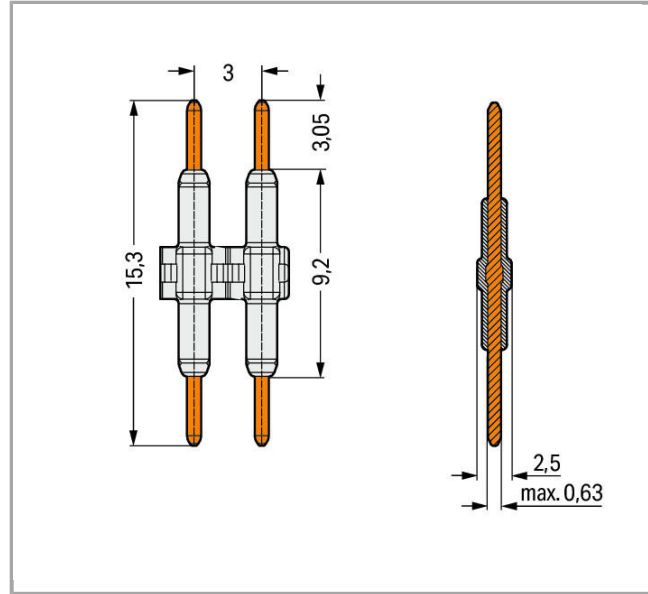
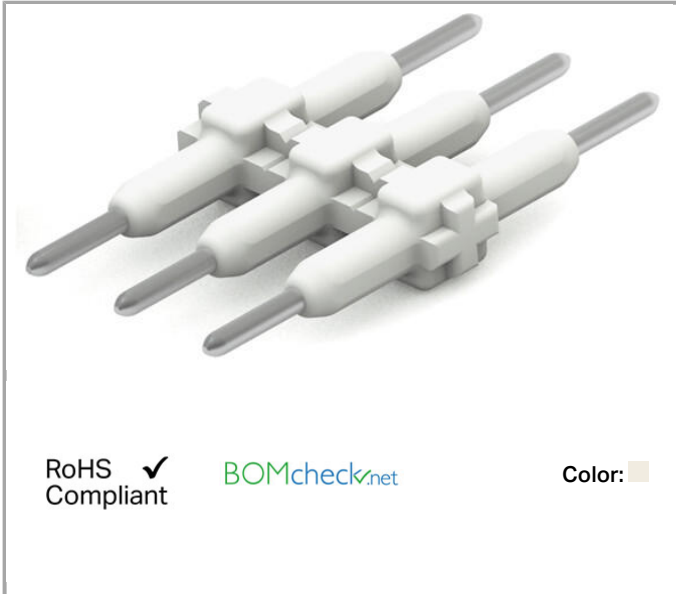


2059-903



### Item description

- Board-to-board links simplify LED module assembly
- Easy push-in connection and disconnection

## Data

## Electrical data

## Ratings per IEC/EN 60664-1

Rated voltage (III / 3)	63 V
Rated impulse voltage (III / 3)	2.5 kV
Rated voltage (III / 2)	160 V
Rated impulse voltage (III / 2)	2.5 kV
Rated voltage (II / 2)	320 V
Rated impulse voltage (II / 2)	2.5 kV
Rated current	3 A

## Connection data

No. of poles	3
Total number of potentials	3
Number of connection types	1

## Geometrical Data

Pin spacing	3 mm / 0.118 inch
Width	8.7 mm / 0.343 inch
Height	2.5 mm / 0.098 inch
Depth	15.3 mm / 0.602 inch

## Mechanical data

Mating cycles	10
Number of mating cycles	max. 10 mating cycles

## Material Data

Color	white
Material group	I
Insulating material	Polyamide 66 (PA 66)
Flammability class per UL94	V0
Contact material	Copper alloy
Contact plating	silver-plated
Fire load	0 MJ

Weight	0.19g
--------	-------

### Environmental Requirements





Limit temperature range	-60 ... +105 °C
-------------------------	-----------------

### Commercial data


Country of origin	CN
GTIN	4055143610063
Customs Tariff No.	85369010000

### Approvals / Certificates

#### Country specific Approvals

Logo	Approval	Additional Approval Text	Certificate name
	CCA DEKRA Certification B.V.	EN 60947-7-4	NTR NL-7680
	CCA DEKRA Certification B.V.	EN 60838	NTR NL-7720
	KEMA/KEUR DEKRA Certification B.V.	EN 60947-7-4	71-103560
	KEMA/KEUR DEKRA Certification B.V.	EN 60838	71-106226

#### UL-Approvals

Logo	Approval	Additional Approval Text	Certificate name
	UL Underwriters Laboratories Inc.	UL 1977	E45171

### Downloads

#### Documentation

#### Additional Information

[pdf](#) [Download](#)



3.6 MB

---

**CAD/CAE - Smart Data**

**CAD data**

3D Download 2059-903

URL

Download

---

Subject to changes.

---